

## Seseca Saunders® style diaphragms DN08 - DN50

### Version SSCR

Type round  
narrow circular bead

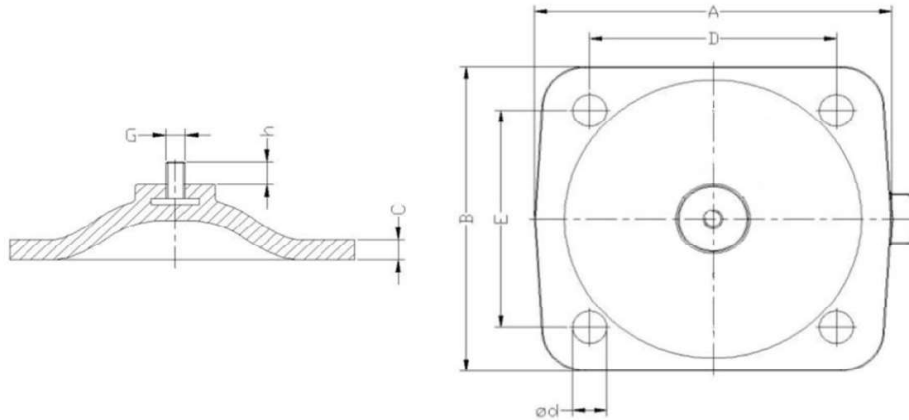


### Version SSCS

Type square with bridge  
narrow circular bead



SIZE DN	Material	Version	Version	outer size in mm			detail sizes in mm					number of boreholes
		SSCR	SSCS	A	B	C	∅d	D	E	G	h	
8	EPDM	◆		∅ 28.3	N/A	3.15	N/A	N/A	N/A	rubberpin 9.5	N/A	0
8	PTFE / EPDM	◆		∅ 28.3	N/A	3.15	N/A	N/A	N/A	rubberpin 9.5	N/A	0
15	EPDM		◆	48	45	5.2	6.2	37	33	rubberpin 13.3	N/A	4
15	PTFE / EPDM		◆	48	45	5.2	6.2	37	33	bayonet 4.75	N/A	4
25	EPDM		◆	72.5	67.5	5.9	9	54	46	1/4"	8	4
25	PTFE / EPDM		◆	72.5	67.5	5.9	9	54	46	bayonet 6.3	7	4
40	EPDM		◆	99	91	6.8	11	70	65	1/4"	8	4
40	PTFE / EPDM		◆	99	91	6.8	11	70	65	bayonet 6.3	7.1	4
50	EPDM		◆	118	107.5	6.3	13	82	78	1/4"	8	4
50	PTFE / EPDM		◆	118	107.5	6.3	13	82	78	bayonet 6.3	8.7	4



All diaphragms are made of the most advanced high quality fabric reinforced EPDM material made in Germany or fully vulcanized EPDM /PTFE material  
For our DN08 - DN50 diaphragms we use PTFE; Dyneon™ TFM™ 1705. For diaphragms DN 65 and larger we use PTFE virginal

Available conformity declarations:

EPDM: FDA CFR21 177.2600, USP class VI, (others on request)

PTFE & TFM™: FDA CFR21 177.1550, USP class VI, (others on request)

#### Temperature Range EPDM Diaphragms:

Liquid Media: -10 to 100°C

Maximum Steam Sterilization: +150°C / maximum 180 minutes per cycle

#### Temperature Range PTFE (TFM1705)/EPDM Diaphragms:

Liquid Media: -10 to 100°C

Maximum Steam Sterilization: +176°C / no time limit per sterilization cycle

## Seseca Saunders® style diaphragms DN08 - DN50

All our diaphragms are molded into the convex shape;  
Diaphragms are pushed by IA into their NON-MOLD position either by opening or by closing the valve actuator.  
Ours are molded in open position and are pushed into the non-mold position when closed.

### LEGAL DISCLAIMER INFORMATION

Seseca Inc. does not represent, nor sell OEM diaphragms manufactured by Saunders®, ChemPharma & Energy or Crane® Saunders® Inc.  
Seseca Inc. "Saunders-Style" diaphragms are guaranteed to fit OEM equipment and meet or exceed OEM specifications in EPDM and/or PTFE-EPDM spare diaphragms.